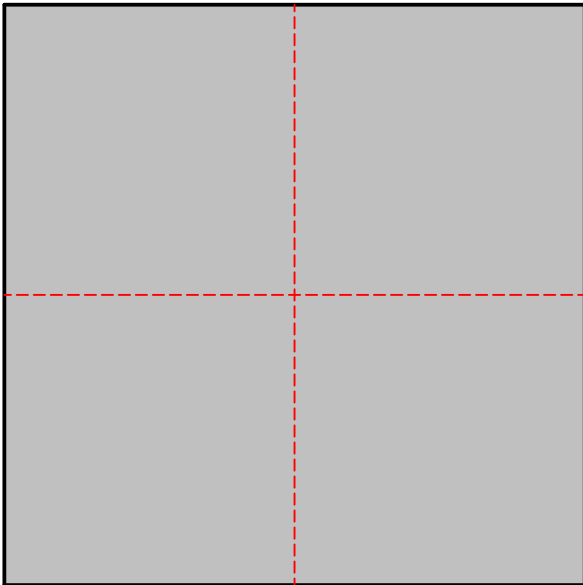


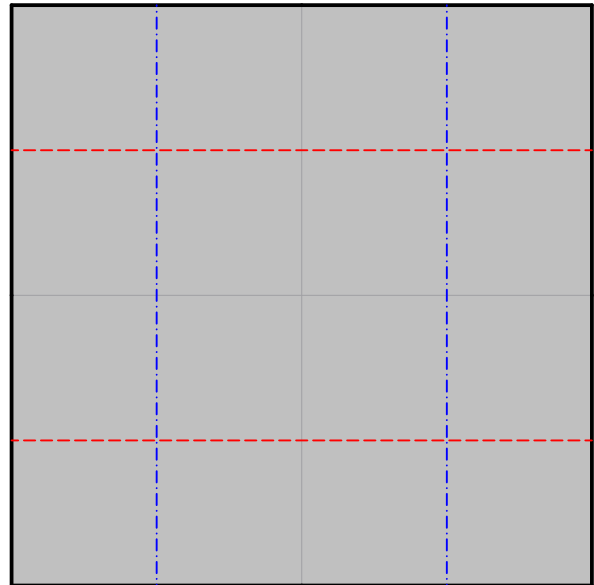
Death Star Module 2 - (c) Martin Hunt 2016

Folding time, approx. 5-10 mins

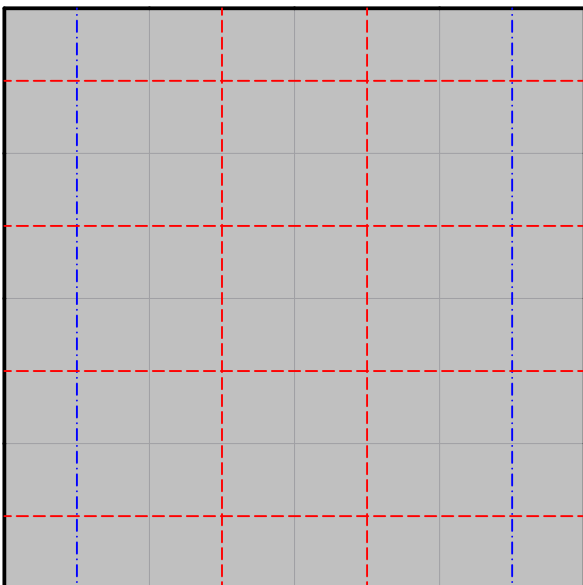
Start with a square, colour side up



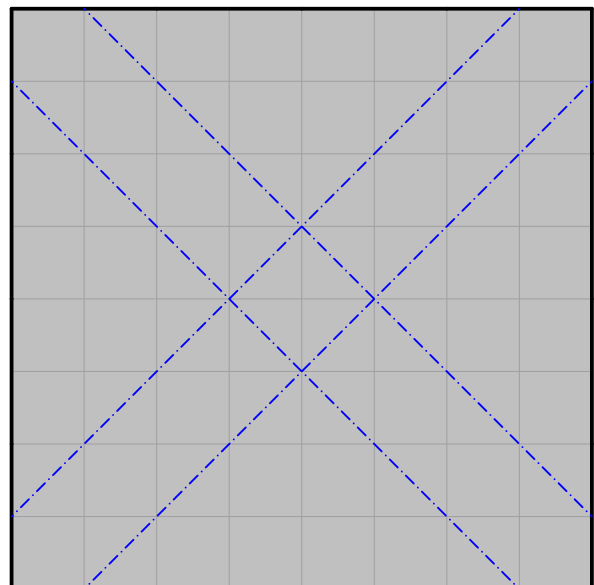
1. Fold in half horizontally and vertically



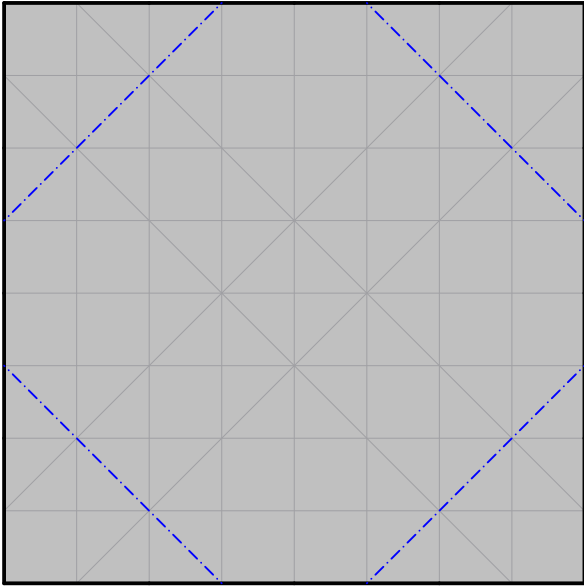
2. Fold all four edges to the centre line, using mountain and valley folds where shown and unfold



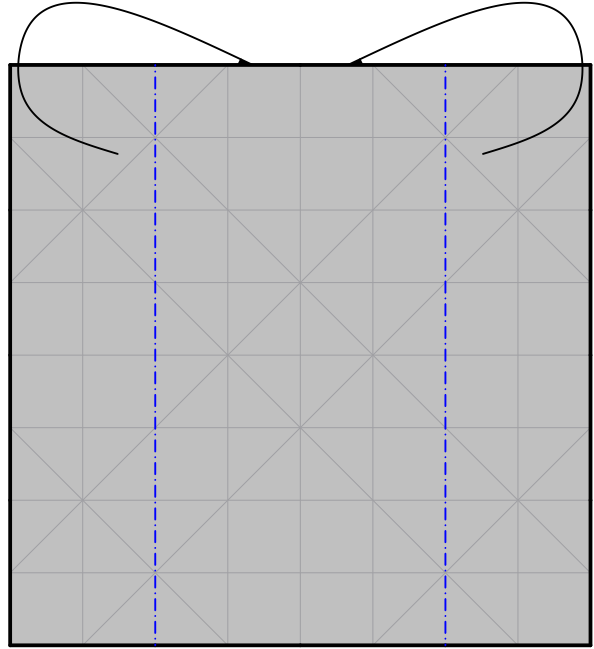
3. Divide the paper into an 8x8 grid using mountain and valley folds where shown



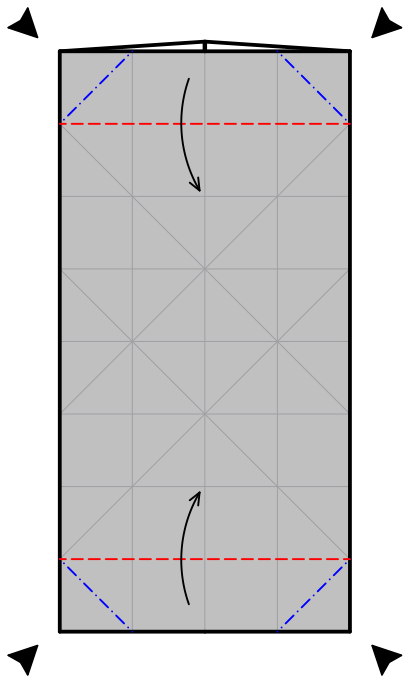
4. Mountain fold the marked diagonal creases



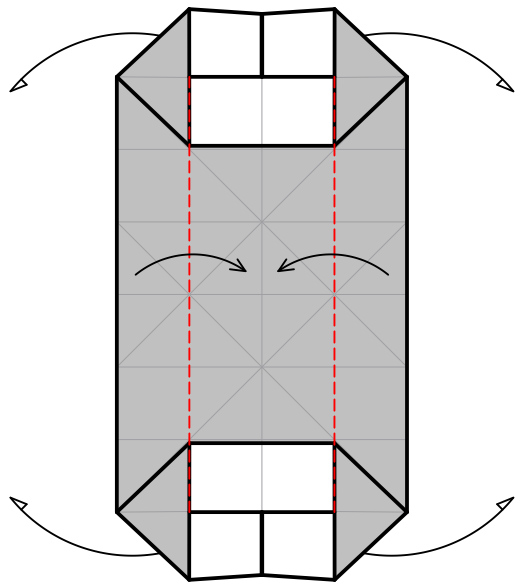
5. Mountain fold the marked diagonal creases



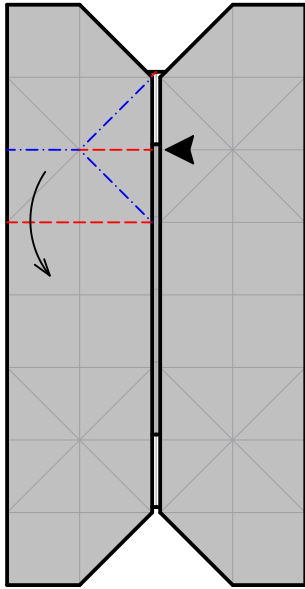
6. Mountain fold the left and right edges behind



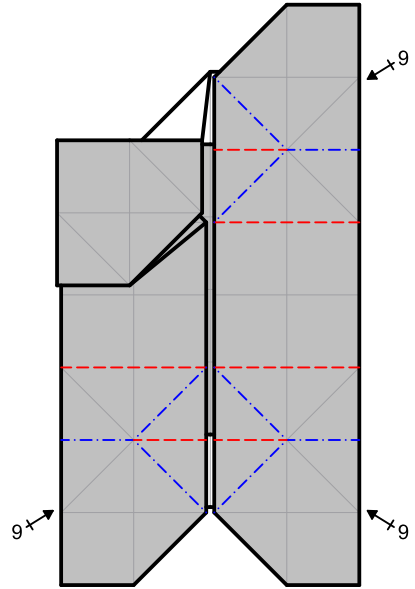
7. Squash fold the top and bottom edges



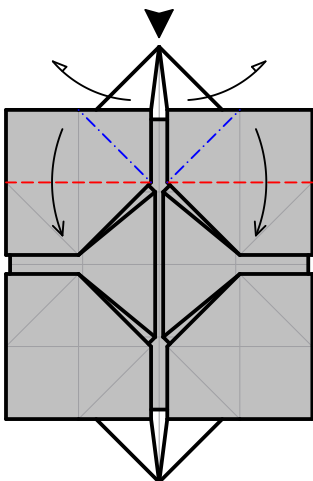
8. Fold both vertical edges to the middle, bringing the loose paper back to the front



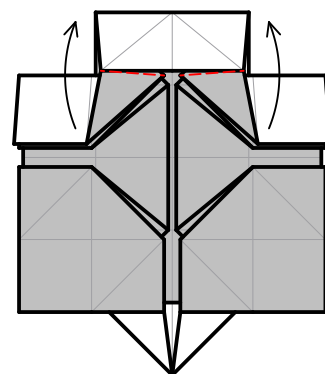
9. Pleat the corner, sinking where shown



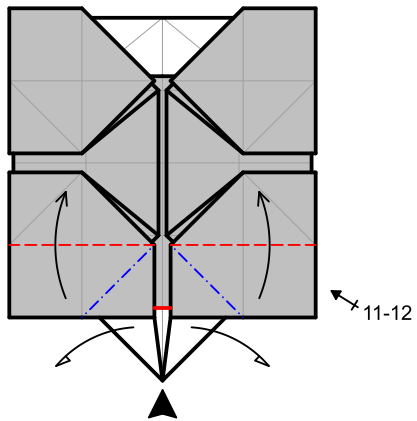
10. Repeat the previous step on the three remaining corners



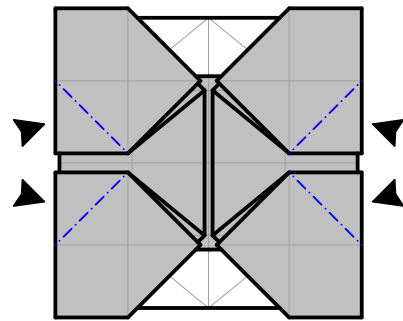
11. Fold the top two corner flaps in half, squashing the central triangular flap



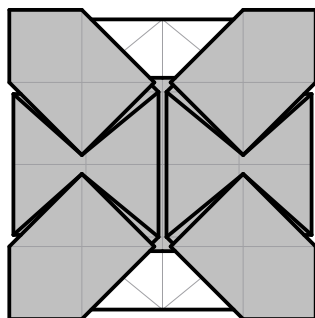
12. Like so. Unfold the corner flaps leaving the squash intact



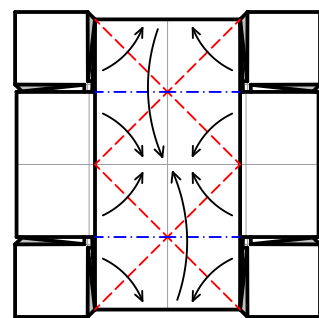
13. Repeat steps 11-12 on the bottom flaps



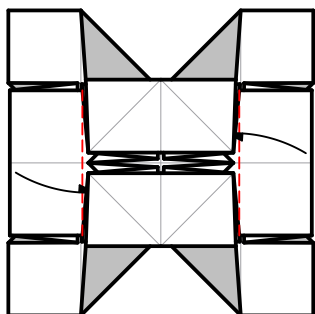
14. Make the corner flaps symmetrical using reverse folds



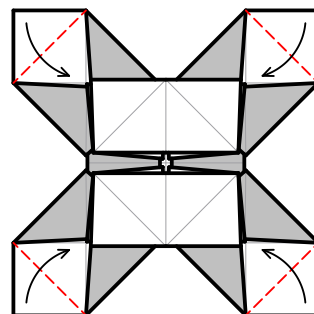
15. Like so. Turn over



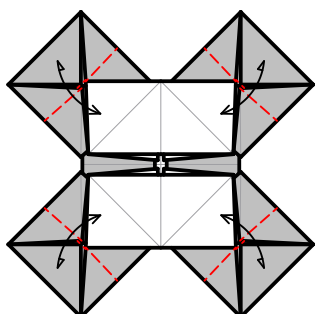
16. Fold the top and bottom of the large rectangle to the centre, incorporating the four reverse folds as shown



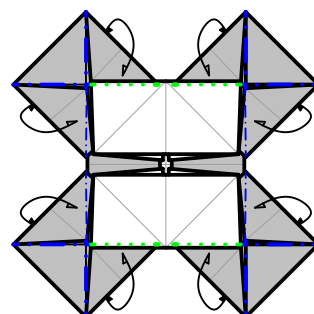
17. Like so.
Tuck the two remaining flaps
into the pockets made by
the previous step



18. Fold in the tips of the four corner flaps
to make square tabs



19. Fold each of the squares in half,
and unfold



20. Mountain fold the diagonals of the squares
along existing creases, and unfold.
The unit is now complete

x2